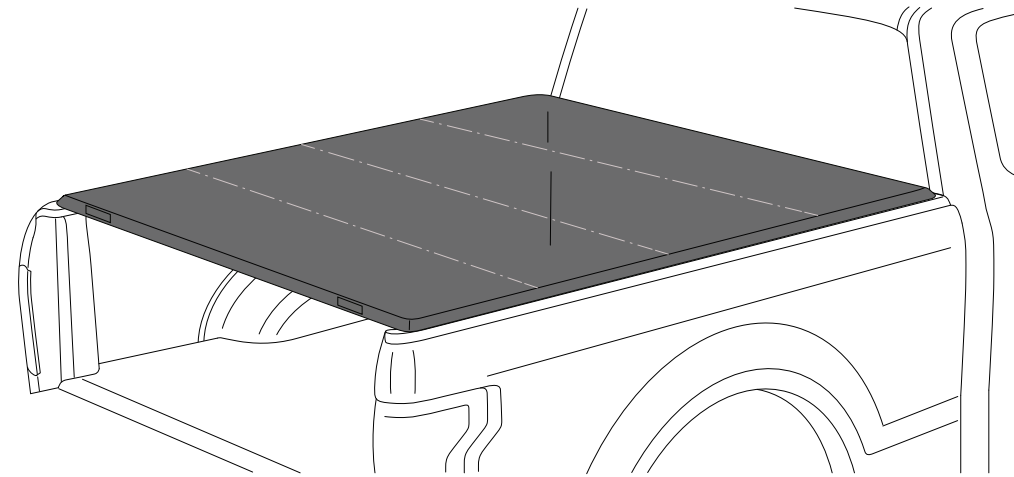


## Assembly Instructions



**Quad-Fold Soft Tonneau Cover**

## Assembly Instructions

### Part List

①	X1	Cover Assembly
②	X6	Clamp Foam Pad
③	X1	Seal Strip
④	X6	Mounting Block (for Toyota/Nissan/Jeep ONLY)
⑤	X1	Allen Wrench (for Toyota/Nissan/Jeep ONLY)
⑥	X2	Bulkhead Seal Sticker (for Tacoma ONLY)

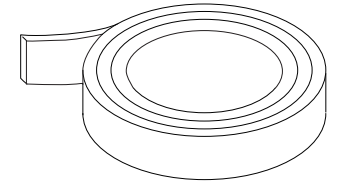
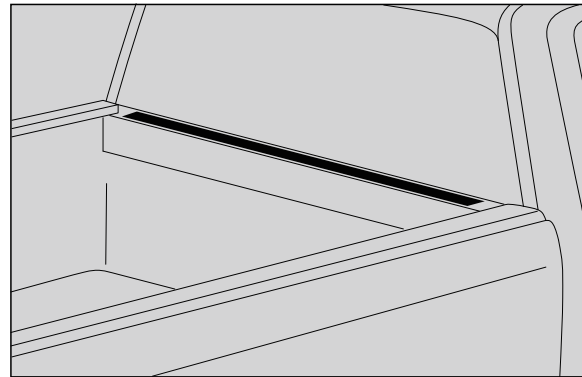
### Warning

1. Tonneau cover must be completely secure in the closed position or opened position while driving. **DO NOT DRIVE** with cover in partially opened position.
2. Clean the debris before rolling up the tonneau cover.
3. Periodically check to ensure all clamps remain secure and tight.
4. Remove the tonneau cover before towing the truck from the rear.

## Assembly Instructions

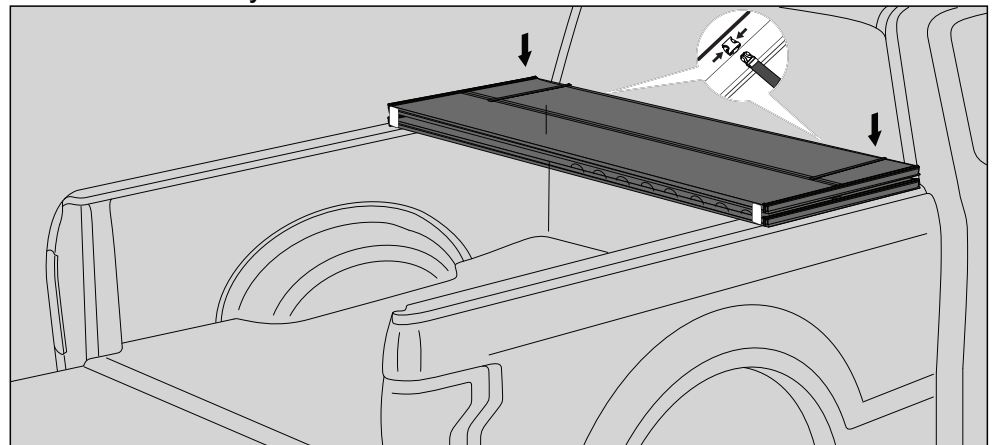
### Step 1:

1. Clean the bulkhead and bedrail before installation.
2. For the Tacoma truck, stick the seal sticker on the bulkhead bar.
3. Stick the seal strip onto the bulkhead.



### Step 2:

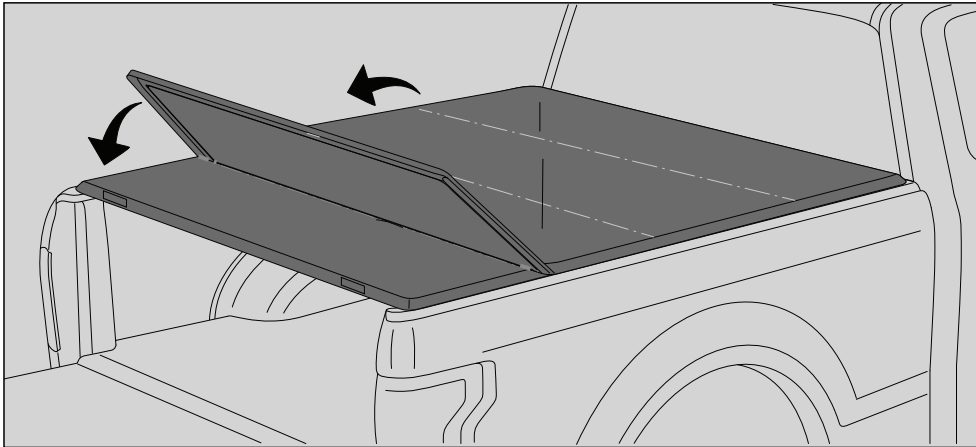
1. Place cover assembly on front truck bed rail against the cab.
2. Release safety buckles.



## Assembly Instructions

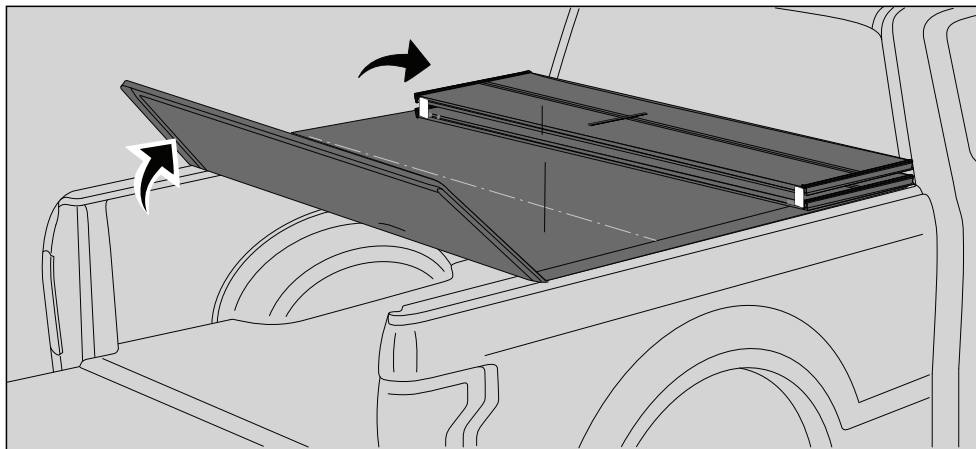
### Step 3:

1. Fully unfold the cover towards the rear.
2. Ensure the cover aligns with the truck bed.



### Step 4:

Carefully refold the cover without moving position on the truck bed.



## Assembly Instructions

### Step 5:

Secure the front clamps.

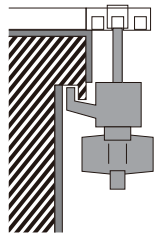
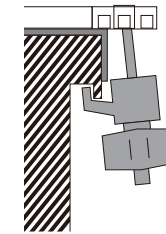
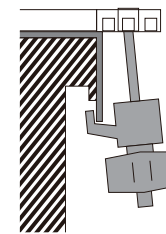
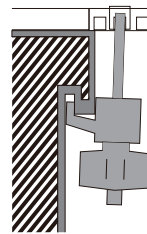
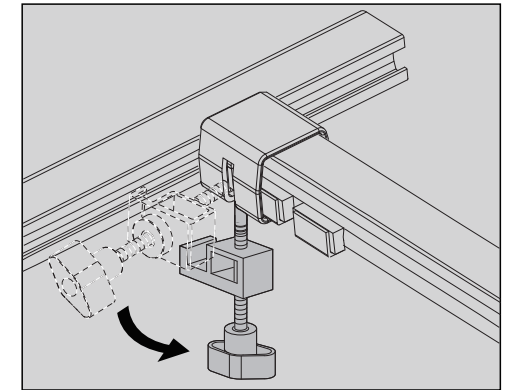
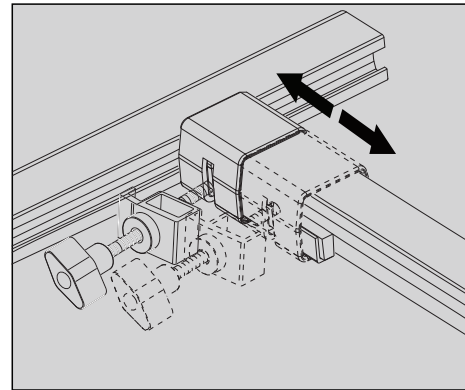
1. Slide the front clamp to the proper slot.
2. Pull down the front clamp to a vertical position.
3. Hook the J-shaped clamp under the metal bed rail lip and tighten the knob.

Note:

Cutting the bedliner is necessary.

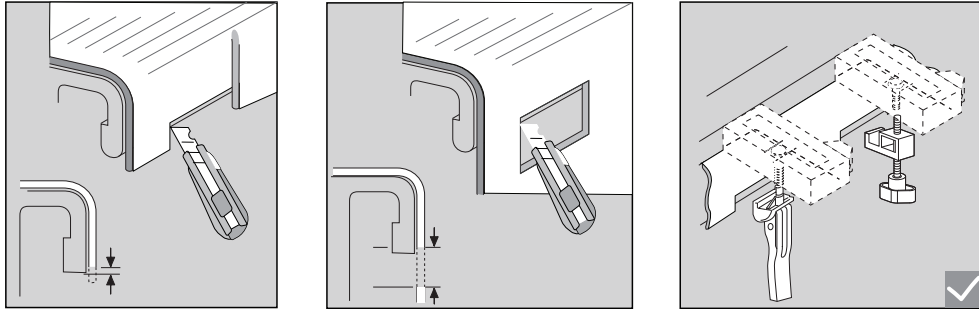
The clamps may not be precisely vertical.

For trucks with utility rails, refer to special instructions to install mounting blocks.



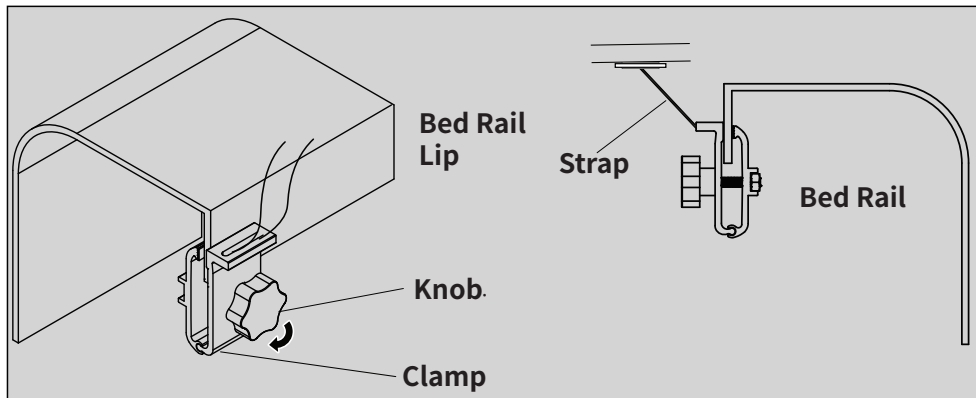
The clamps may not be precisely vertical.

## Assembly Instructions



### Step 6:

1. Loosen the safety clamp and attach it to the bed rail lip on both sides.
2. Hand tighten the knob clockwise. DO NOT use a wrench or overtighten.
3. Adjust the strap to the proper length and pull the other end of the strap tight.



## Assembly Instructions

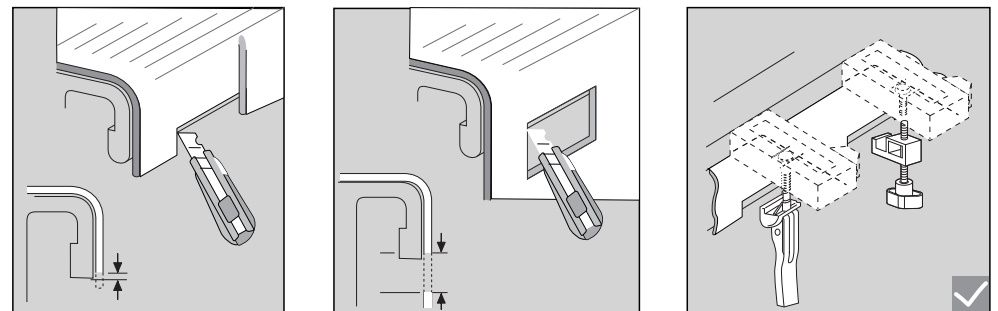
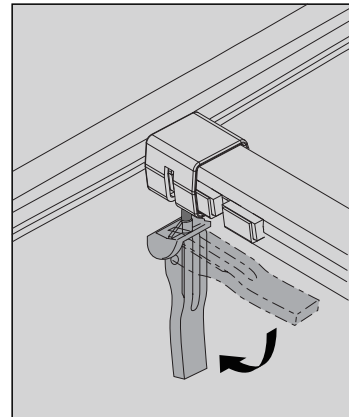
### Step 7:

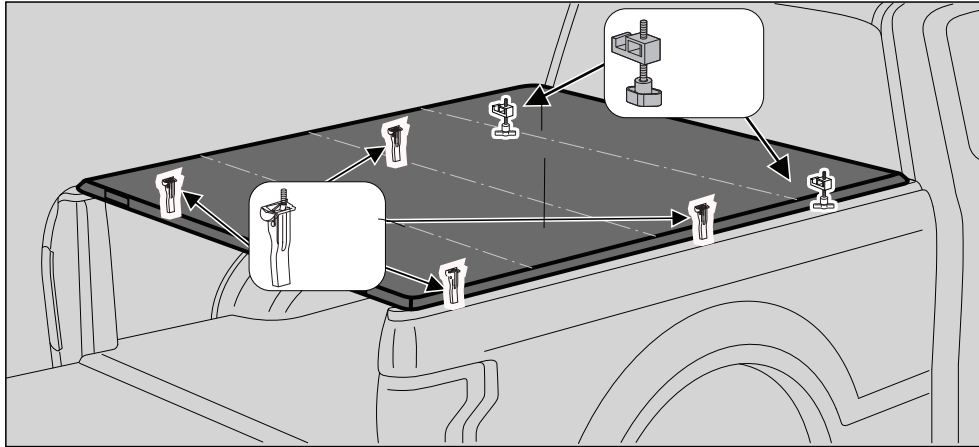
Carefully unfold the cover and secure the rear clamps.

1. Slide the clamp to the proper slot.
2. Pull down the clamp to a vertical position.
3. Stick the clamp pad to the mounting position on the bed rail.
4. Turn the clamp handle to adjust the clamp to the proper length.
5. Hook the J-shaped clamp under the metal bed rail lip and push the clamp handle to a vertical position.

Note:

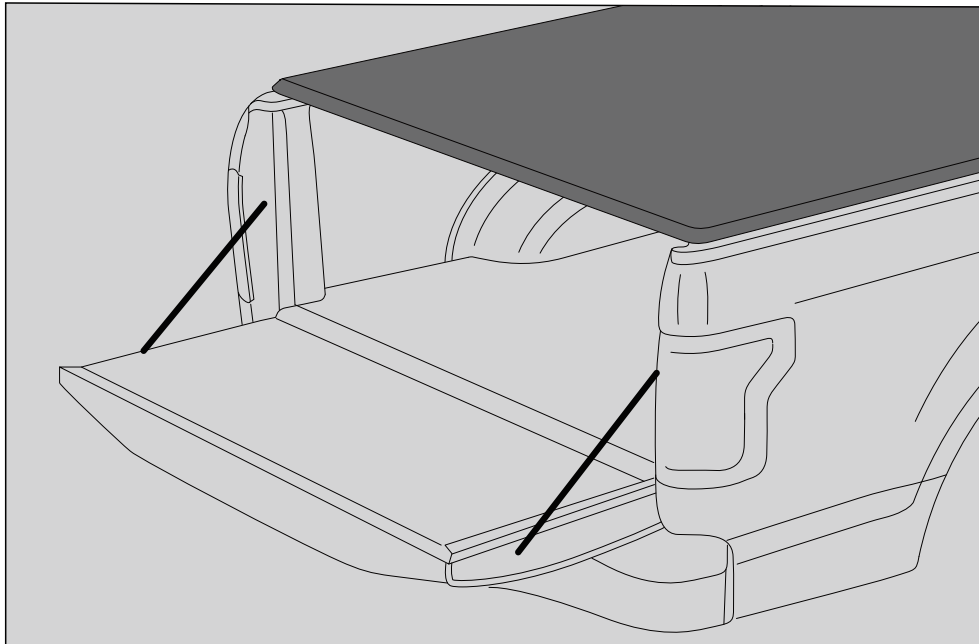
The clamps may not be precisely vertical.





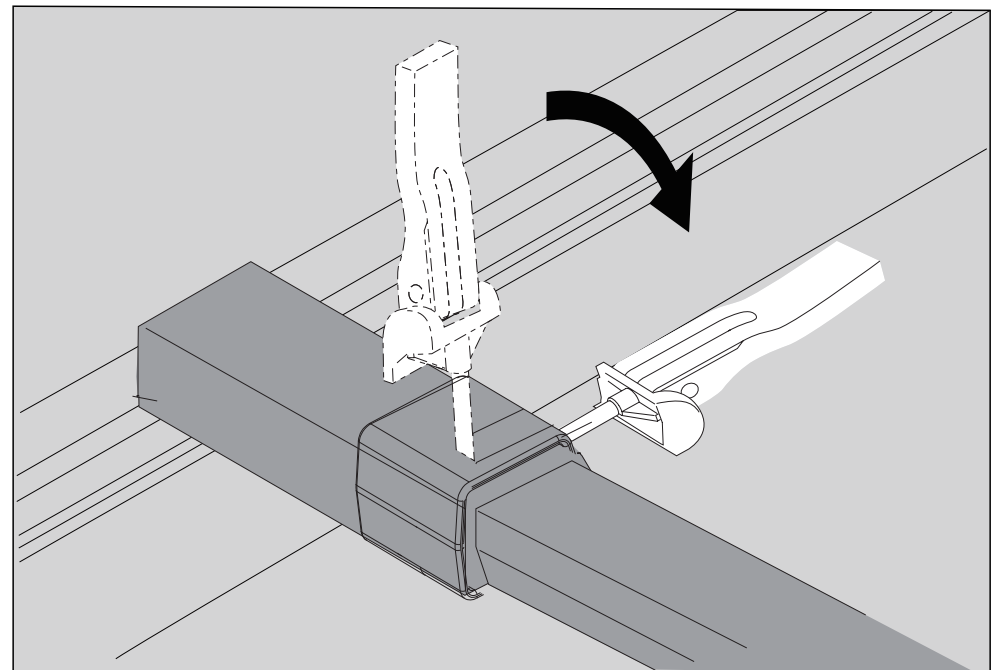
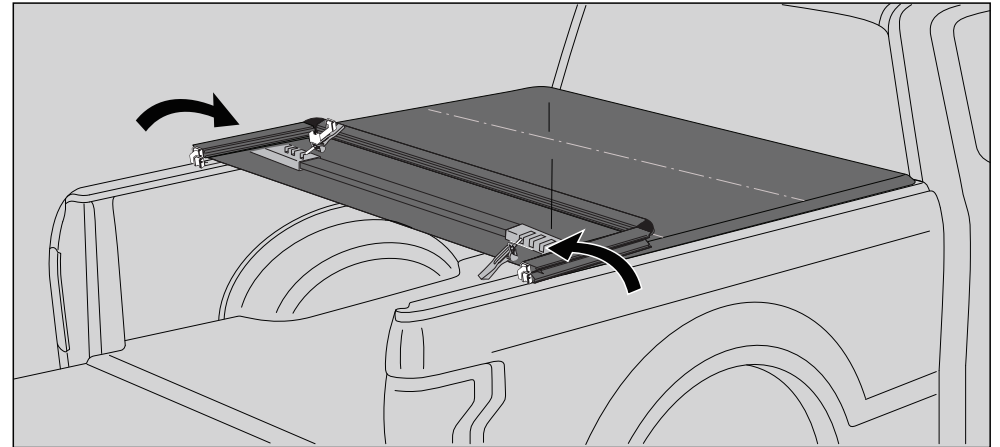
**Step 8:**

1. Close the tailgate. Installation completed.

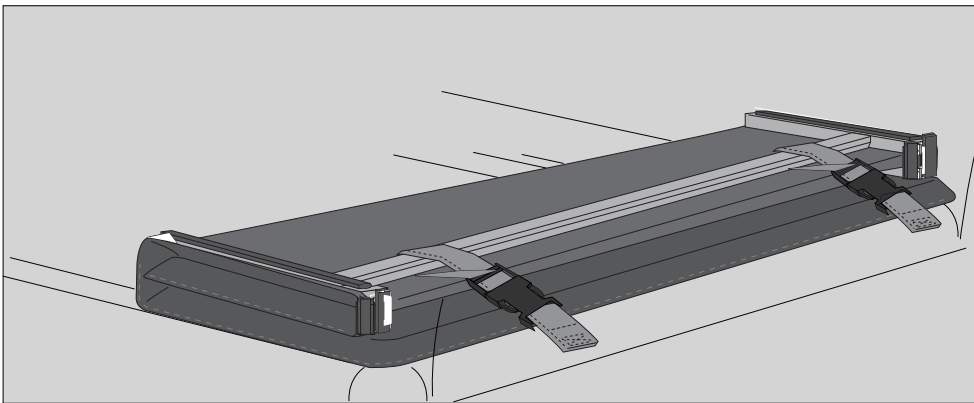
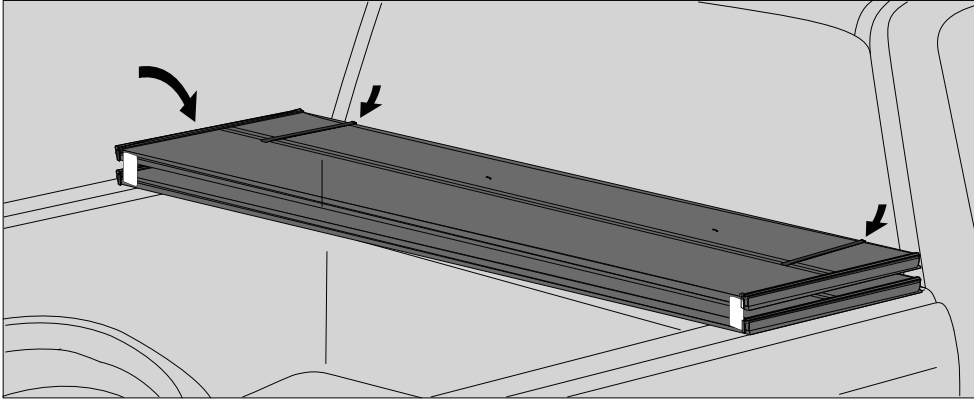


**Fold up the Cover:**

1. Open the tailgate.
2. Release and fold up the rear and center clamps.



3. Fold up the cover towards front.
4. Secure the safety buckles.

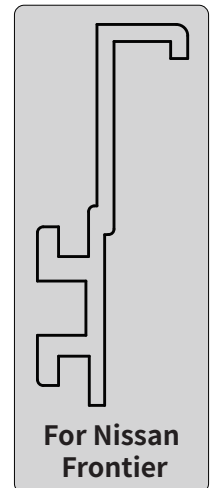
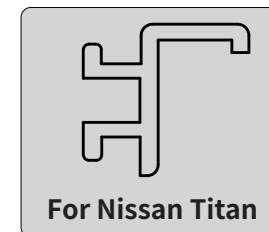
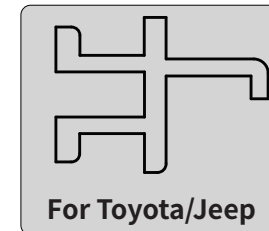
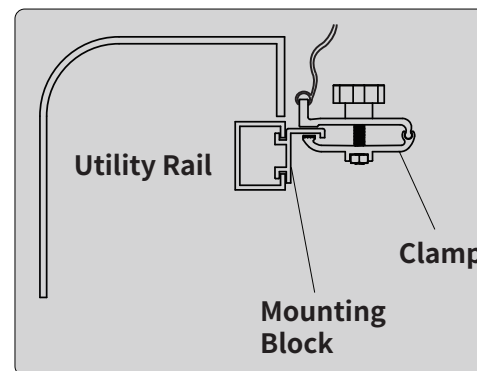
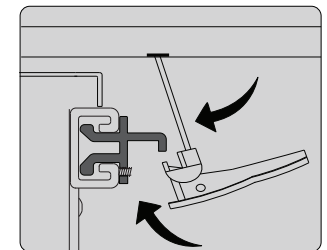
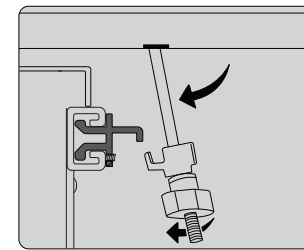
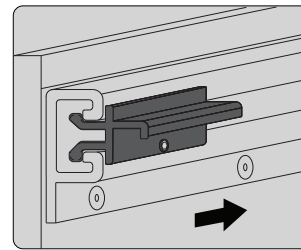


5. After the tonneau cover is installed, periodically check to ensure all clamps and buckles remain secure and tight.

### Special Instruction for Trucks with Utility Rail:

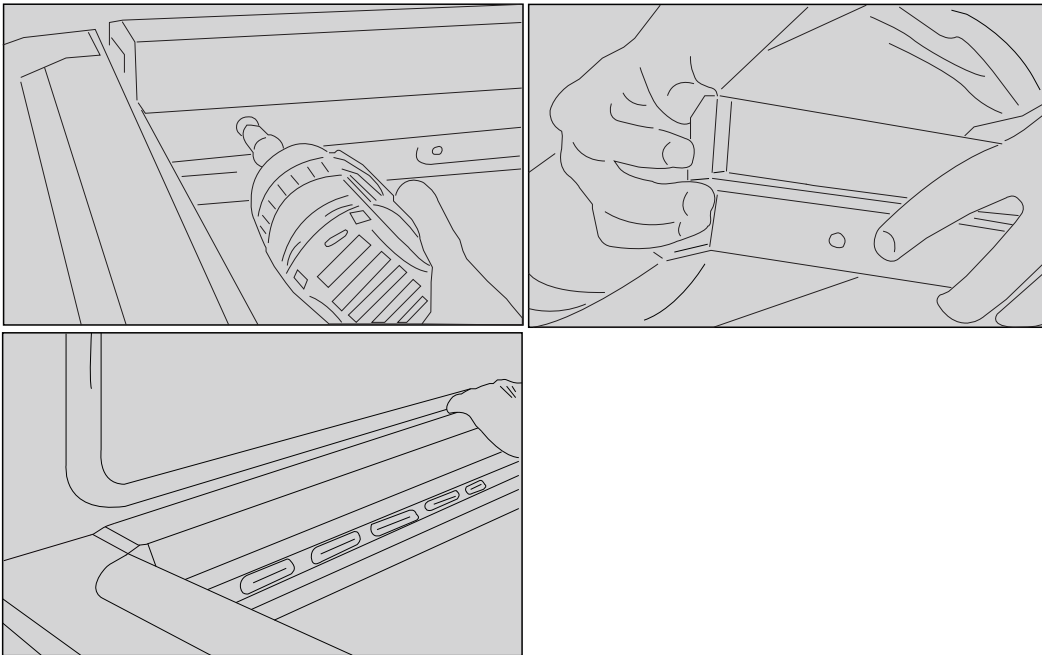
#### For trucks with utility rail:

1. Slide mounting block into track rail.
2. Attach front clamps onto mounting block.
3. Attach rear clamps onto mounting block.
4. Tighten set screw on mounting block.



## Special Instruction for Tacoma Trucks:

1. Remove the bulkhead bar.
2. Stick the seal on both ends of the bar.
3. Install the bulkhead bar back.



## Maintain and Repair

### Rear Clamp Replacement:

1. Fold up the rear clamp.
2. Remove the Philips screw.
3. Slide the clamp to the innermost slot.
4. Remove the defective rear clamp.
5. Install the new rear clamp in the reverse order of removal.

